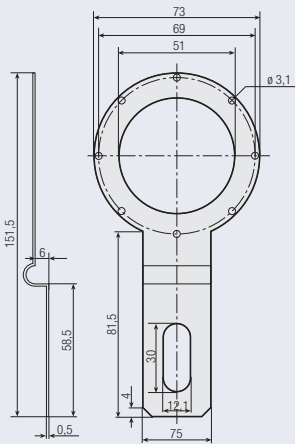
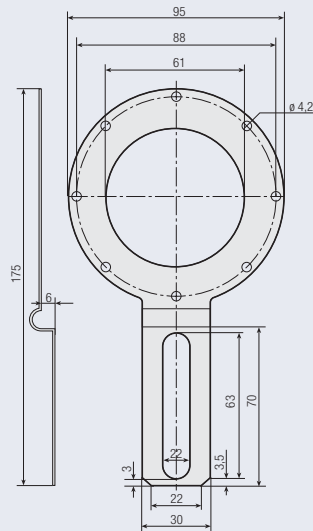


THETHER KITS

TEH-740

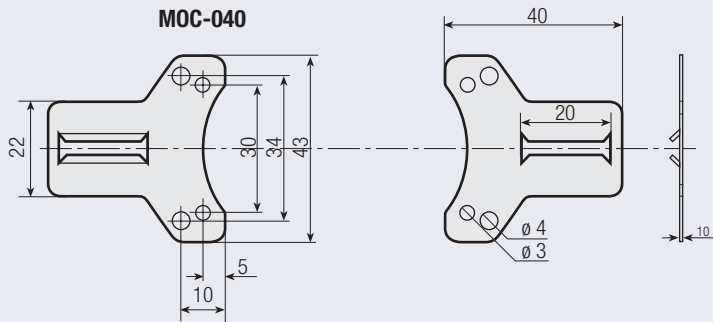


TEH-950



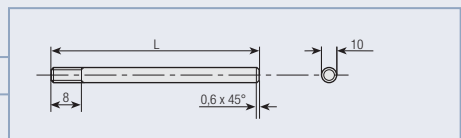
MOUNTING CLIP & PIN

MOC-040



Art. No. L (mm)

MOP-055	55
MOP-050	50
MOP-045	45

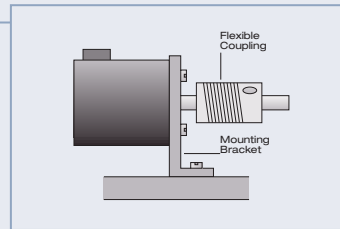


MECHANICAL INSTALLATION

RECOMMENDED MECHANICAL INSTALLATION

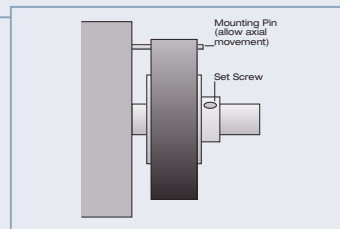
1. Shaft Encoders

- mount encoder to mounting bracket.
- install coupling to shaft encoder.
- align encoder and coupling to drive shaft.
- mount bracket to machine assembly.
- check alignment is correct.
- tighten all screws.



2. Hollow Shaft Encoders

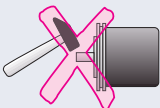
- mount pin to machine assembly.
- install encoder to shaft of the machine.
- use mounting pin to stop encoder from rotating.
- check if mounting pin allows axial movement of the optical encoder.
- check alignment is correct.
- tighten all set screws.



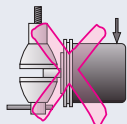
CAUTION

All encoders produced by the GESgroup are designed to be reliable, rugged and easy to install. Should you require clarification on any of these instructions, please contact the nearest GESgroup company (See back cover page).

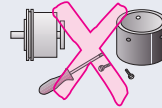
Caution! Any of these actions my cause damage to the product.



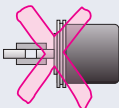
Do not shock the encoder



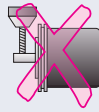
Do not subject the encoder to axial or radial stress



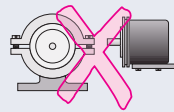
Do not dismantle the encoder



Do not use a rigid coupling



Do not tool the encoder or its shaft



Do not use makeshift techniques to mount the encoder