

IS 700

INCREMENTAL SHAFT ENCODER

Heavy Duty Construction
 IP65 Protection
 25000 PPR Maximum
 4.75 to 30 Volts, RS 422 Compatible
 300 kHz Maximum Frequency



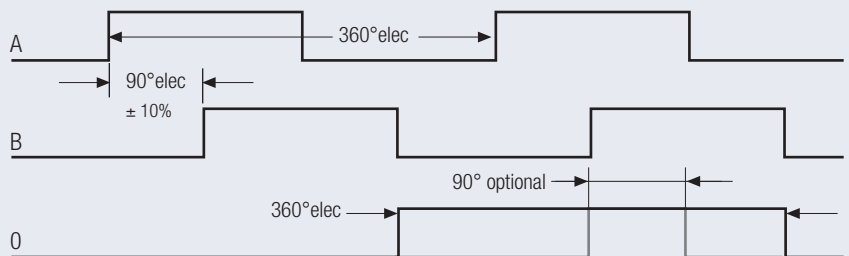
ELECTRICAL SPECIFICATIONS

Supply Voltage	4.75-30 V DC
Current Consumption	40 mA (max)
Output Circuit	Push-Pull, RS 422A
Impulse Frequency	300 kHz (max)
Logic Level (high)	Vcc - 0.7 Volt
Logic Level (low)	0.25 Volt (max)
Short Circuit Protection	100 %

MECHANICAL SPECIFICATIONS

Cover	Aluminium
Body	Aluminium
Shaft	Stainless Steel
Speed	6000 RPM (max)
Torque	> 0.1 Nm
Loading	Axial 60 N, Radial 50 N
Protection	IP 65
Temperature	-20°...+70° C (-4°...+158° F) +100° C (+212° F) Optional
Weight	1.125 lb (450 g)

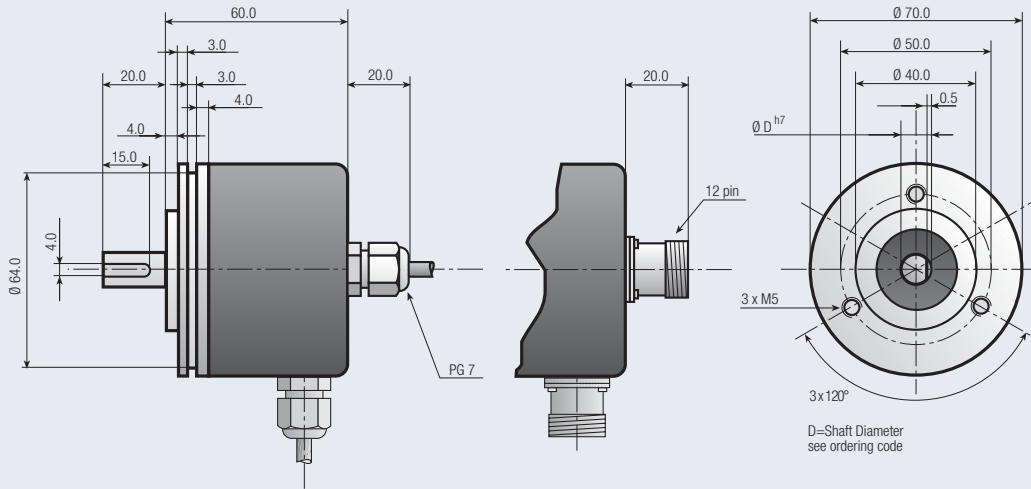
OUTPUT SIGNALS



A Leads B in the CW Direction (facing shaft)
 Complimentary channel also available

Optional Gated Marker Pulse
 Gated with A+B Shown

Drawing available as:
dxf, iges, step, sld file



ORDERING CODE

IS 700 - -

a b c d e f g h Pulses Per Revolution

- a **Group Function**
IS=Incremental Solid Shaft
- b **Basic Series Number**
700
- c **Shaft Size D**
10=10 mm 12=12 mm
AB=3/8" AC=1/2"
- d **Mechanical Options**
0=None

- e **Connector Type**
0=2 mtr. (6ft.) Cable
7=12 Pin
- f **Connector Location**
A=Axial
R=Radial
- g **Output Signals**
3=A+B+0
6=A+B+0+Compliments
- h **Output Circuit Type**
3=Push Pull 4.75 to 30 VDC

Note: Special functions and designs will be designated by a 4 digit code at the end of the part number. Consult factory for further details

CONNECTIONS

Function	Cable Colour Code	12 Pin Connector
0 Volt	white	1
+ Volt	brown	2
A	green	3
B	yellow	4
0	grey	5
\bar{A}	pink	6
\bar{B}	blue	7
$\bar{0}$	red	8