

IS 410

INCREMENTAL SHAFT ENCODER

- Miniature Size
- IP65 Protection
- Syncro Flange Mounting
- 10000 PPR Maximum
- 4.75 to 30 Volts, RS 422 Compatible
- 100 kHz Maximum Frequency



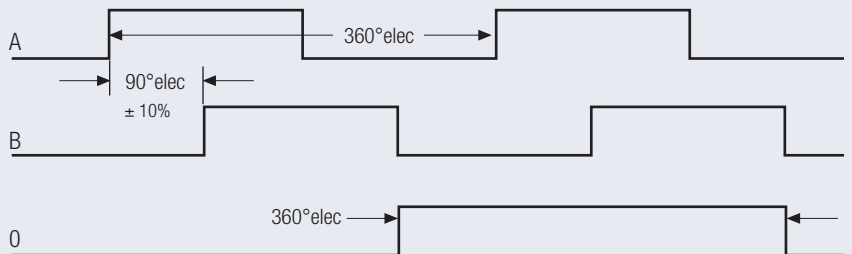
ELECTRICAL SPECIFICATIONS

Supply Voltage	4.75-30 V DC
Current Consumption	40 mA (max)
Output Circuit	Push-Pull, RS 422A
Impulse Frequency	100 kHz (max)
Logic Level (high)	Vcc - 0.7 Volt
Logic Level (low)	0.25 Volt (max)
Short Circuit Protection	100 %

MECHANICAL SPECIFICATIONS

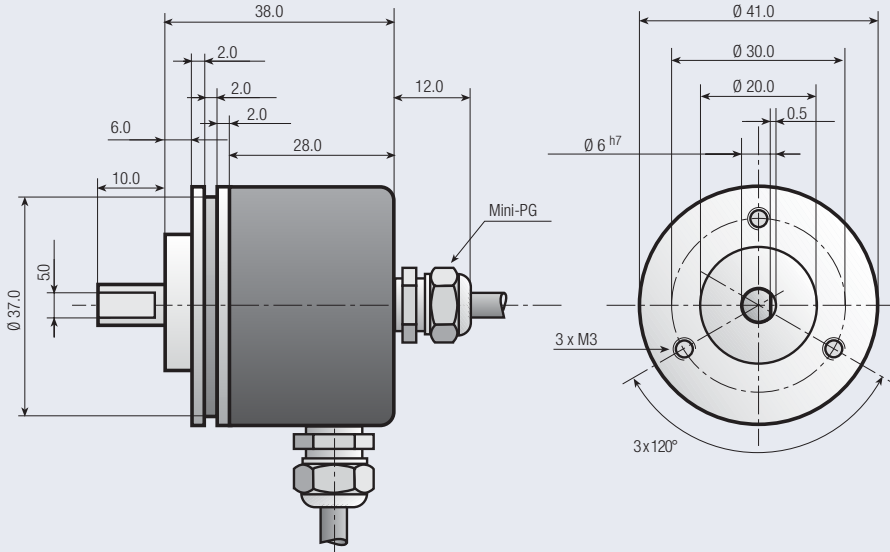
Cover	Aluminium
Body	Aluminium
Shaft	Stainless Steel
Speed	6000 RPM (max)
Torque	> 0.04 Nm
Loading	Axial 30 N, Radial 20 N
Protection	IP 65
Temperature	-20°...+ 70° C (-4°...+158° F)
Weight	0.31 lb (140 g)

OUTPUT SIGNALS



A Leads B in the CW Direction (facing shaft)
Complimentary channel also available

Drawing available as:
dxf, iges, step, sld file



ORDERING CODE

IS 410 - -

a b c d e f g h Pulses Per Revolution

- a Group Function**
IS=Incremental Solid Shaft
- b Basic Series Number**
410
- c Shaft Size D**
06=6 mm
- d Mechanical Options**
0=None

- e Connector Type**
0=2 mtr. Cable
- f Connector Location**
A=Axial
R=Radial
- g Output Signals**
3=A+B+0
6=A+B+0+Compliments
- h Output Circuit Type**
3=Push Pull 4.75 to 30 VDC

Note: Special functions and designs will be designated by a 4 digit code at the end of the part number. Consult factory for further details

CONNECTIONS

Function	Cable Colour Code
0 Volt	white
+ Volt	brown
A	green
B	yellow
0	grey
\bar{A}	pink
\bar{B}	blue
$\bar{0}$	red