

# IP 700

INCREMENTAL ENCODER IP66/IP67 – M/S

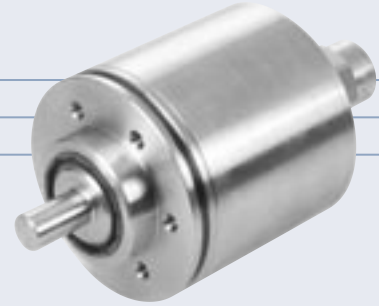


IP 66/67 – M/S

Heavy Duty Construction

5000 Pulses/Rev., 300 kHz max.

4,75 – 30 Volts, RS 422 Compatible



## APPROVALS/CERTIFICATIONS

EN 50014	1197 E incl. A1 + A2
EN 50018	2000 E

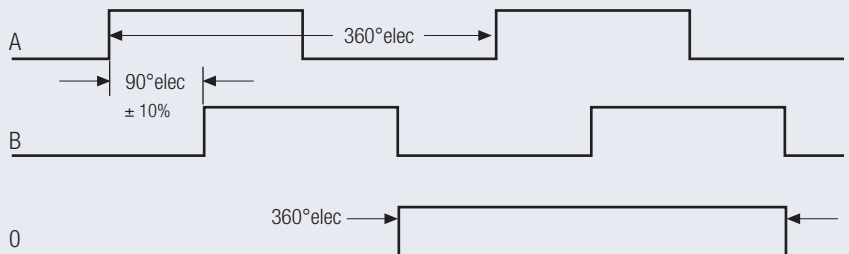
## ELECTRICAL SPECIFICATIONS

Supply Voltage	4.75 - 30 V DC
Current Consumption	40 mA (max)
Output Circuit	Push-Pull, RS 422A
Impulse Frequency	300 kHz (max)
Logic Level (high)	Vcc - 0.7 Volt
Logic Level (low)	0.25 Volt (max)
Short Circuit Protection:	100 %
Cable	Mechanically and Chemically Resistant Screened

## MECHANICAL SPECIFICATIONS

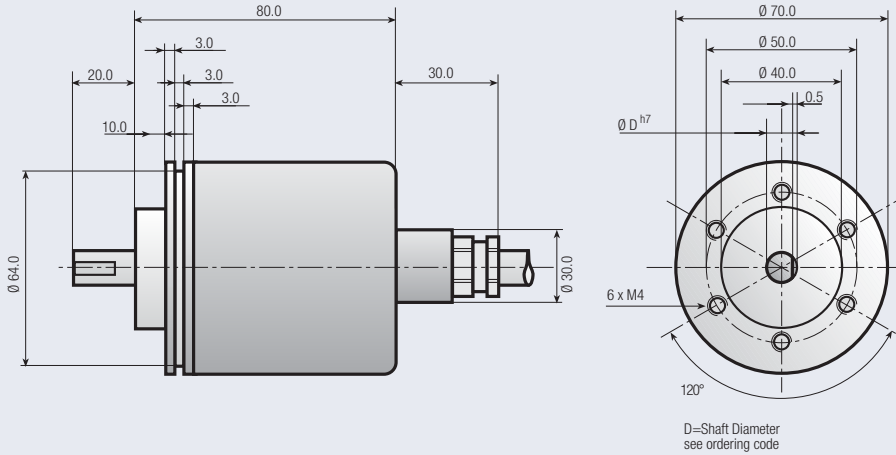
Cover	316 Stainless Steel
Body	316 Stainless Steel
Shaft	316 Stainless Steel
Speed	6000 RPM (max)
Torque	> 0.4 Nm
Loading	Axial 60 N, Radial 50 N
Protection	IP 66/67 – M/S
Temperature	-20°...+70°C (-4°...+158°F)
Weight	(2.866 lb) 1300 g

## OUTPUT SIGNALS



A Leads B in the CW Direction (facing shaft)  
Complimentary channel also available

Drawing available as:  
dxf, iges, step, sld file



ORDERING CODE

IP 700 - [ ] [ ] [ ] [ ] [ ] [ ] [ ] [ ] - [ ] [ ] [ ] [ ] [ ] [ ]  
 a b c d e f g h Pulses Per Revolution

- a **Group Function**  
IP=Incremental Encoder IP66/IP67
- b **Basic Series Number**  
700
- c **Shaft Size D**  
10=10 mm  
12=12 mm
- d **Mechanical Options**  
0=None

- e **Connector Type**  
0=2 mtr. (6ft.) Cable
- f **Connector Location**  
A=Axial
- g **Output Signals**  
3=A+B+0  
6=A+B+0+Compliments
- h **Output Circuit Type**  
3=Push Pull 4.75 to 30 VDC

Note: Special functions and designs will be designated by a 4 digit code at the end of the part number. Consult factory for further details

CONNECTIONS

Function	Cable Colour Code
0 Volt	white
+ Volt	brown
A	green
B	yellow
0	grey
$\bar{A}$	pink
$\bar{B}$	blue
$\bar{0}$	red