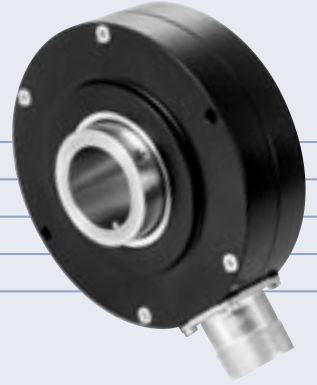


IH 951

INCREMENTAL HOLLOW SHAFT ENCODER

Very Heavy Duty Construction
 Shaft Mounted
 Range of shaft bores (14 – 30 mm)
 25000 PPR Maximum
 4.75 to 30 Volts, RS 422 Compatible
 300 kHz Maximum Frequency



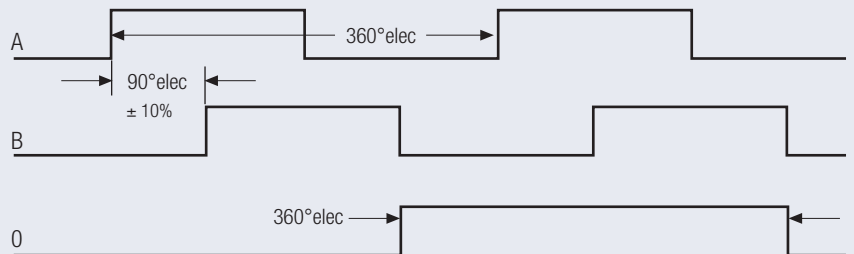
ELECTRICAL SPECIFICATIONS

Supply Voltage	4.75-30 V DC
Current Consumption	40 mA (max)
Output Circuit	Push-Pull, RS 422A
Impulse Frequency	300 kHz (max)
Logic Level (high)	Vcc - 0.7 Volt
Logic Level (low)	0.25 Volt (max)
Short Circuit Protection	100 %

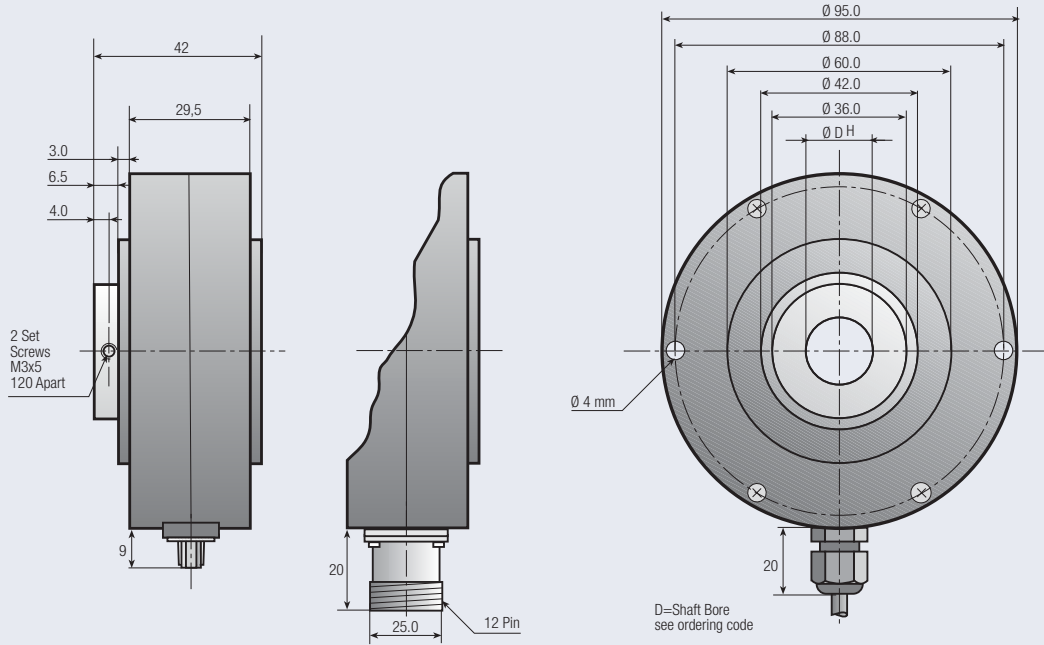
MECHANICAL SPECIFICATIONS

Cover	Aluminium
Body	Aluminium
Shaft	Stainless Steel
Speed	6000 RPM (max)
Torque	> 0.04 Nm
Loading	Axial 50 N, Radial 30 N
Protection	IP 65
Temperature	-20°...+70° C (-4°...+158° F) +100° C (+212° F) Optional
Weight	1.034 lb (470 g)

OUTPUT SIGNALS



A Leads B in the CW Direction (facing shaft)
 Complimentary channel also available



Drawing available as:
dxf, iges, step, sld file

ORDERING CODE

IH 951 - -

a b c d e f g h Pulses Per Revolution

- a **Group Function**
IH=Incremental Hollow Shaft
- b **Basic Series Number**
951
- c **Shaft Size D**
12=12 mm 26=26mm
AE=5/8" AL=1"
- d **Mechanical Options**
0=None

- e **Connector Type**
0=2 mtr. (6ft.) Cable
6=9 Pin Sub D
7=12 Pin
- f **Connector Location**
R=Radial
- g **Output Signals**
3=A+B+0
6=A+B+0+Compliments
- h **Output Circuit Type**
3=Push Pull 4.75 to 30 VDC

Note: Special functions and designs will be designated by a 4 digit code at the end of the part number. Consult factory for further details

CONNECTIONS

Function	Cable Colour Code	9 Pin Connector	12 Pin Connector
0 Volt	white	1	1
+ Volt	brown	2	2
A	green	3	3
B	yellow	4	4
0	grey	5	5
\bar{A}	pink	6	6
\bar{B}	blue	7	7
$\bar{0}$	red	8	8