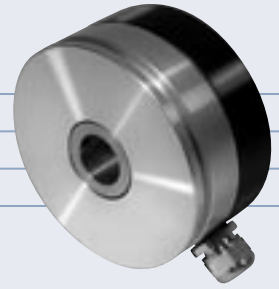


# CH 580

COMMUTATION HOLLOW SHAFT ENCODER

Compact Construction  
 Shaft Mounted  
 2048 PPR Maximum  
 DC Motor Commutation Signals  
 300 kHz Maximum Frequency



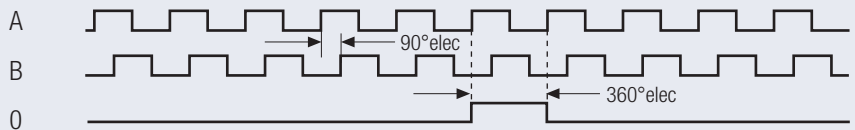
## ELECTRICAL SPECIFICATIONS

Supply Voltage	5 - 15 V DC or 10 - 30 V DC
Current Consumption	100 mA (max)
Output Circuit	TTL or Push-Pull, RS 422A
Impulse Frequency	300 kHz (max)
Logic Level (high)	Vcc - 0.7 Volt
Logic Level (low)	0.25 Volt (max)
Short Circuit Protection	100 %

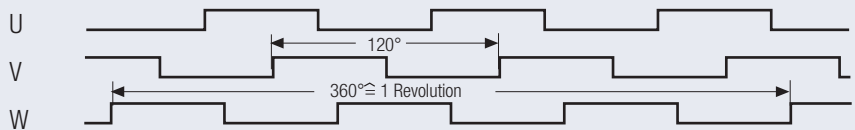
## MECHANICAL SPECIFICATIONS

Cover	Aluminium
Body	Aluminium
Shaft	Stainless Steel
Speed	10,000 RPM (max)
Torque	> 0.06 Nm
Loading	Axial 20 N, Radial 30 N
Protection	IP 65
Temperature	-20°...+70° C (-4°...+158° F) +100° C (+212° F) Optional
Weight	0.374 lb (170 g)

## OUTPUT SIGNALS

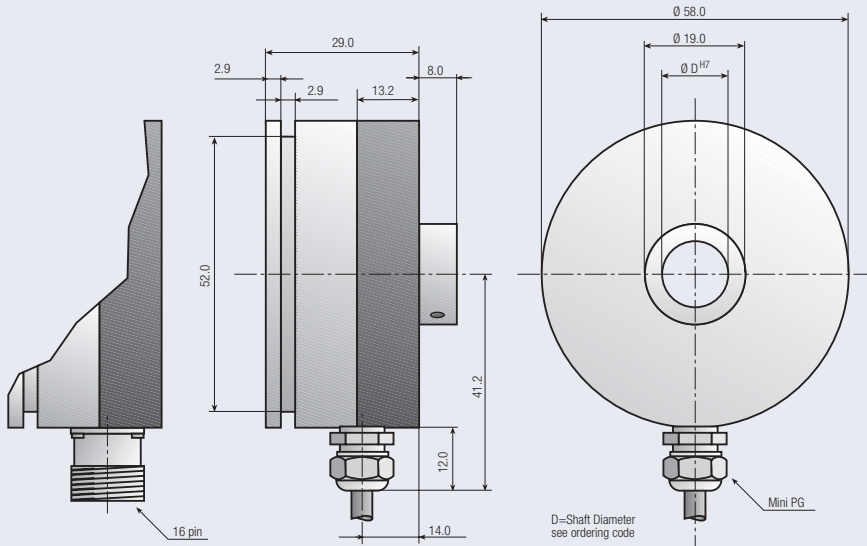


A leads B in the CW Direction (facing shaft)



Commutation signal shown in the CW direction

Drawing available as:  
dxf, iges, step, sld file



ORDERING CODE

**CH 580** -         -

a      b      c      d      e      f      g      h      Pulses Per Revolution

- a **Group Function**  
CH=Commutation Hollow Shaft
- b **Basic Series Number**  
580
- c **Shaft Size D**  
06=6 mm  
13=13 mm
- d **Mechanical Options**  
0=None

- e **Connector Type**  
0=2 mtr. Cable  
8=16 Pin
- f **Connector Location**  
R=Radial
- g **Output Signals**  
A=A+B+0+U+V+W  
B=A+B+0+U+V+W+Compliments
- h **Output Circuit Type**  
6=5-15 VDC  
7=10-30 VDC

**Note:** Special functions and designs will be designated by a 4 digit code at the end of the part number. Consult factory for further details

CONNECTIONS

Function	Cable Colour Code	12 Pin Connector	Function	Cable Colour Code	16 Pin Connector
0 Volt	white	1			
+ Volt	brown	2			
A	green	3	$\bar{A}$	black	9
B	yellow	4	$\bar{B}$	violet	10
0	grey	5	$\bar{0}$	grey/pink	11
U	pink	6	$\bar{U}$	red/blue	12
V	blue	7	$\bar{V}$	white/green	13
W	red	8	$\bar{W}$	brown/green	14